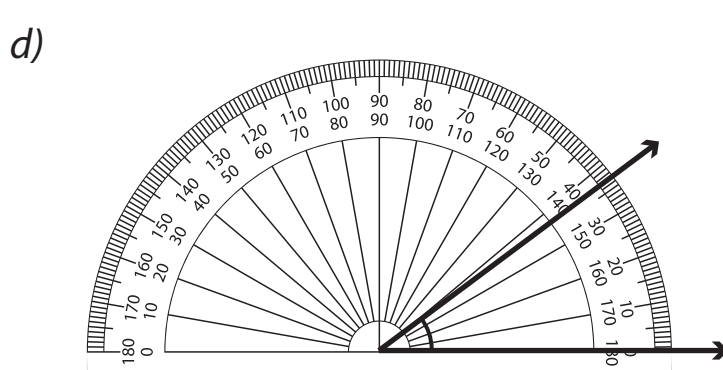
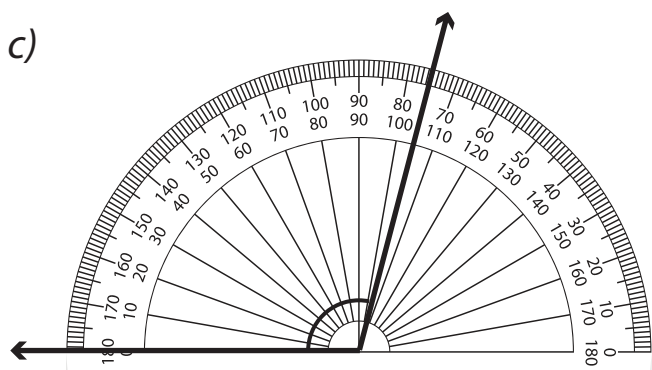
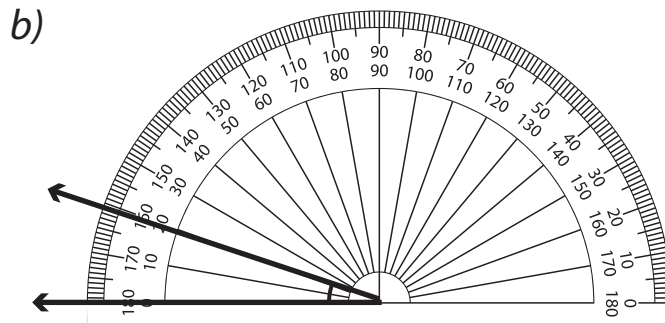
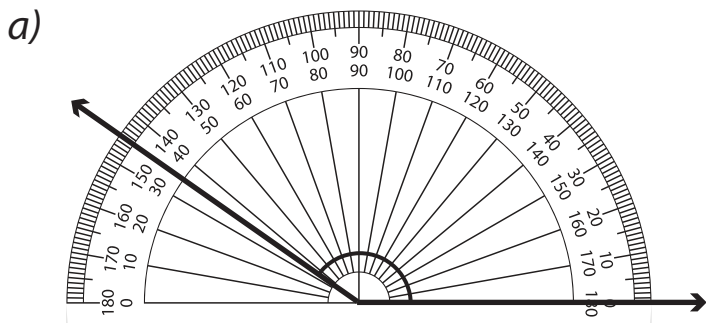
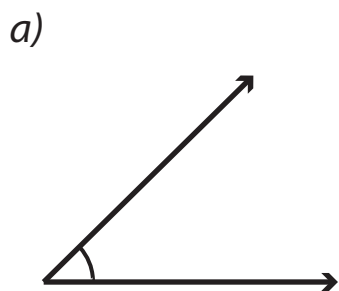


Name: _____

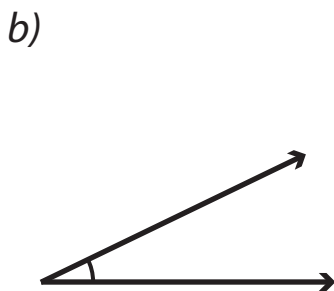
1) Measure the size of each angle.



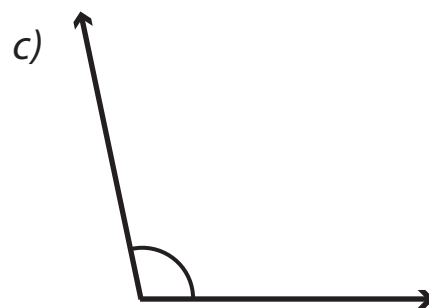
2) Which is the closest estimate for each angle?



- 15°
- 22°
- 45°
- 78°
- 83°



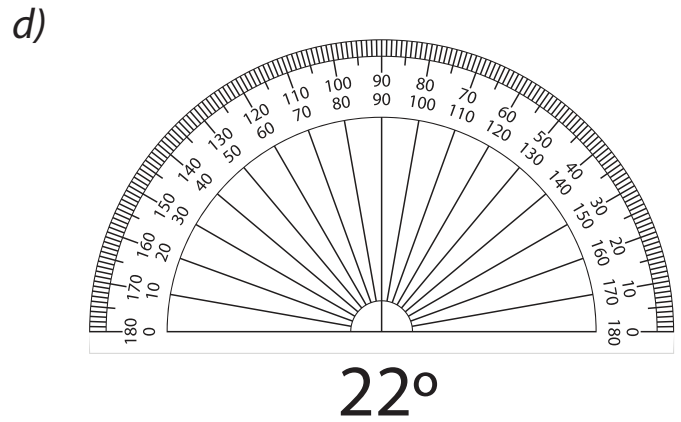
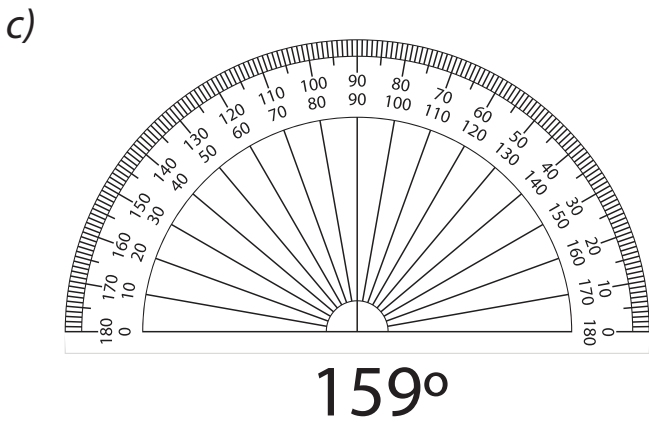
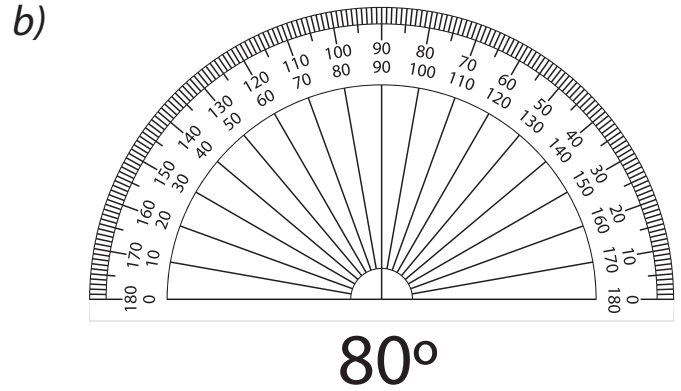
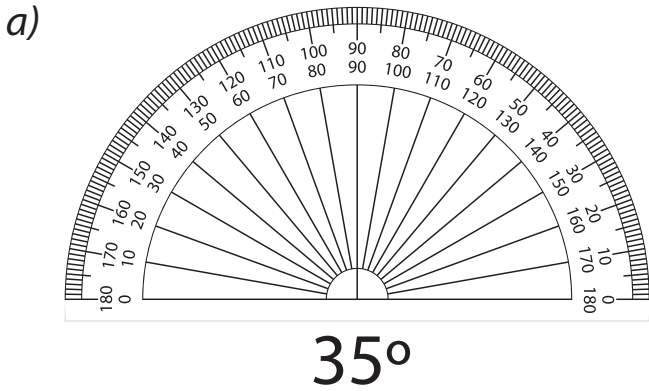
- 8°
- 27°
- 40°
- 58°
- 61°



- 75°
- 87°
- 102°
- 135°
- 170°

Name: _____

3) Draw each angle on the protractor.



4) Draw an angle that is about 65°.

5) Draw an angle that is about 135°.

6) What is the size of each angle marked with an 'x'?

