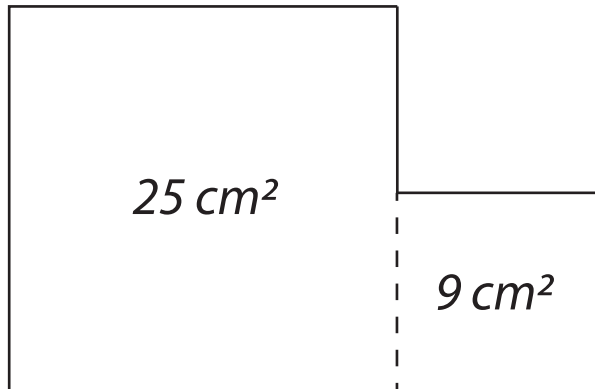


Name: \_\_\_\_\_

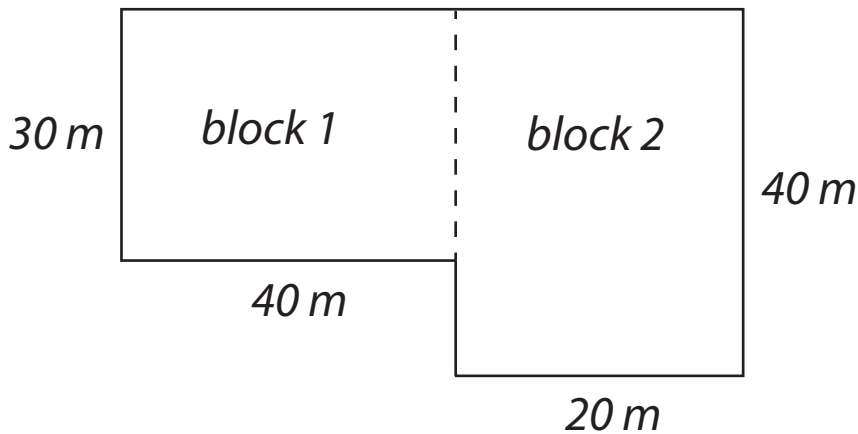
The shapes are not drawn to scale.

1) The size of each section is shown. What is the area of the whole shape?



\_\_\_\_\_

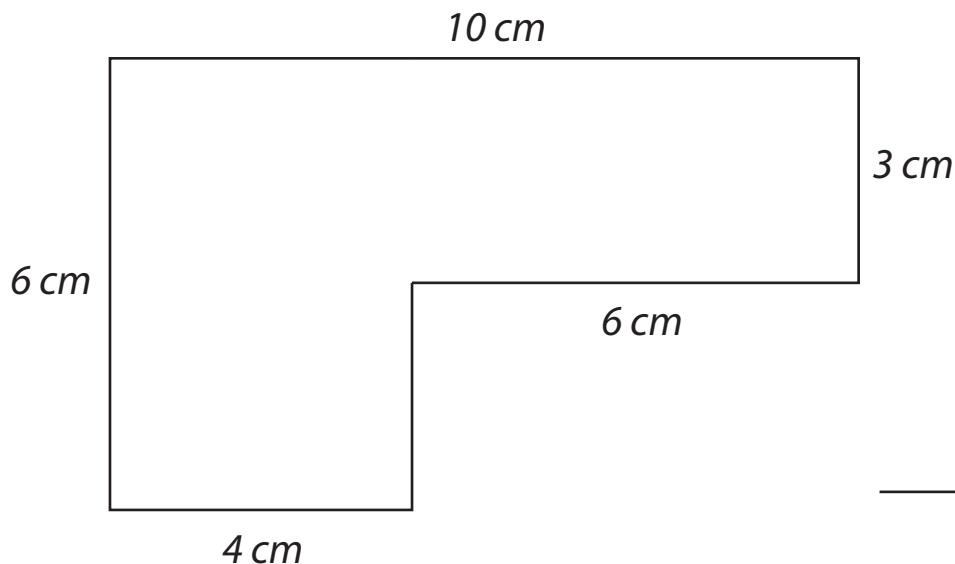
2) Sam wants to divide his land along the dotted line. What is the area of each smaller block?



Area of block 1 = \_\_\_\_\_

Area of block 2 = \_\_\_\_\_

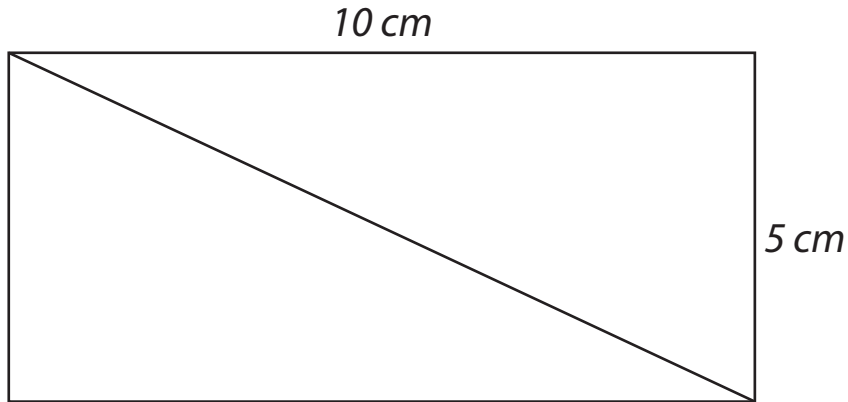
3) Calculate the area of this shape.



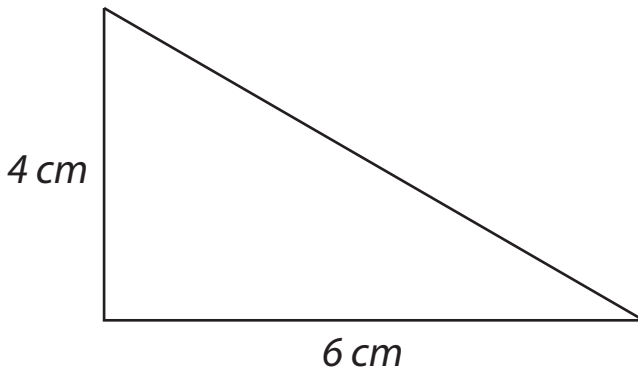
\_\_\_\_\_

Name: \_\_\_\_\_

4) A line is drawn from each corner of this rectangle to create two triangles.  
What is the area of each triangle? \_\_\_\_\_

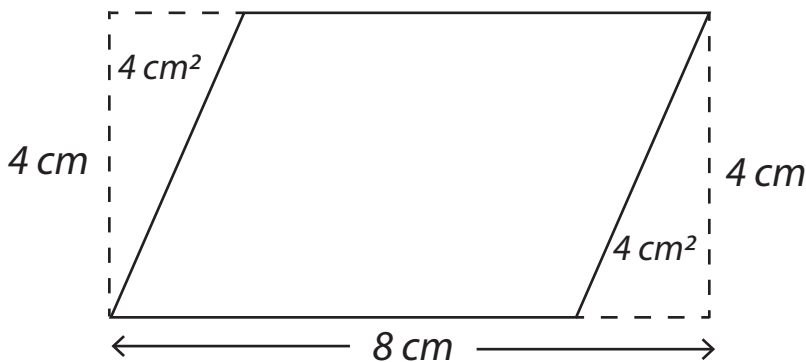


5) Calculate the area of this right-angled triangle.



\_\_\_\_\_

6) Each right-angled triangle has an area of four square centimetres.  
Use this information to help you calculate the area of the parallelogram.



\_\_\_\_\_